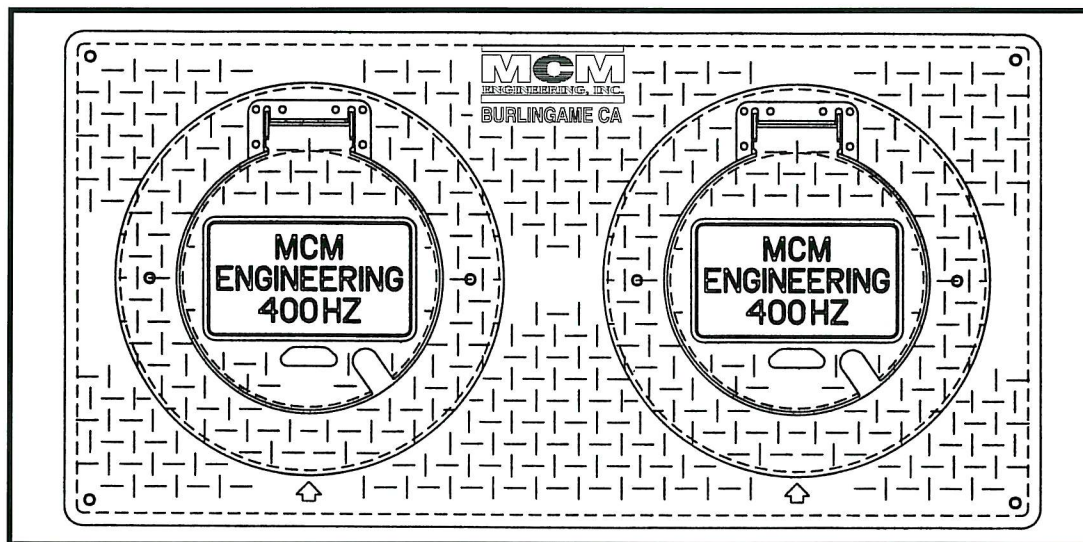


MCM

ENGINEERING, INC.

400HZ DUAL OUTPUT AIRCRAFT SERVICE PITS

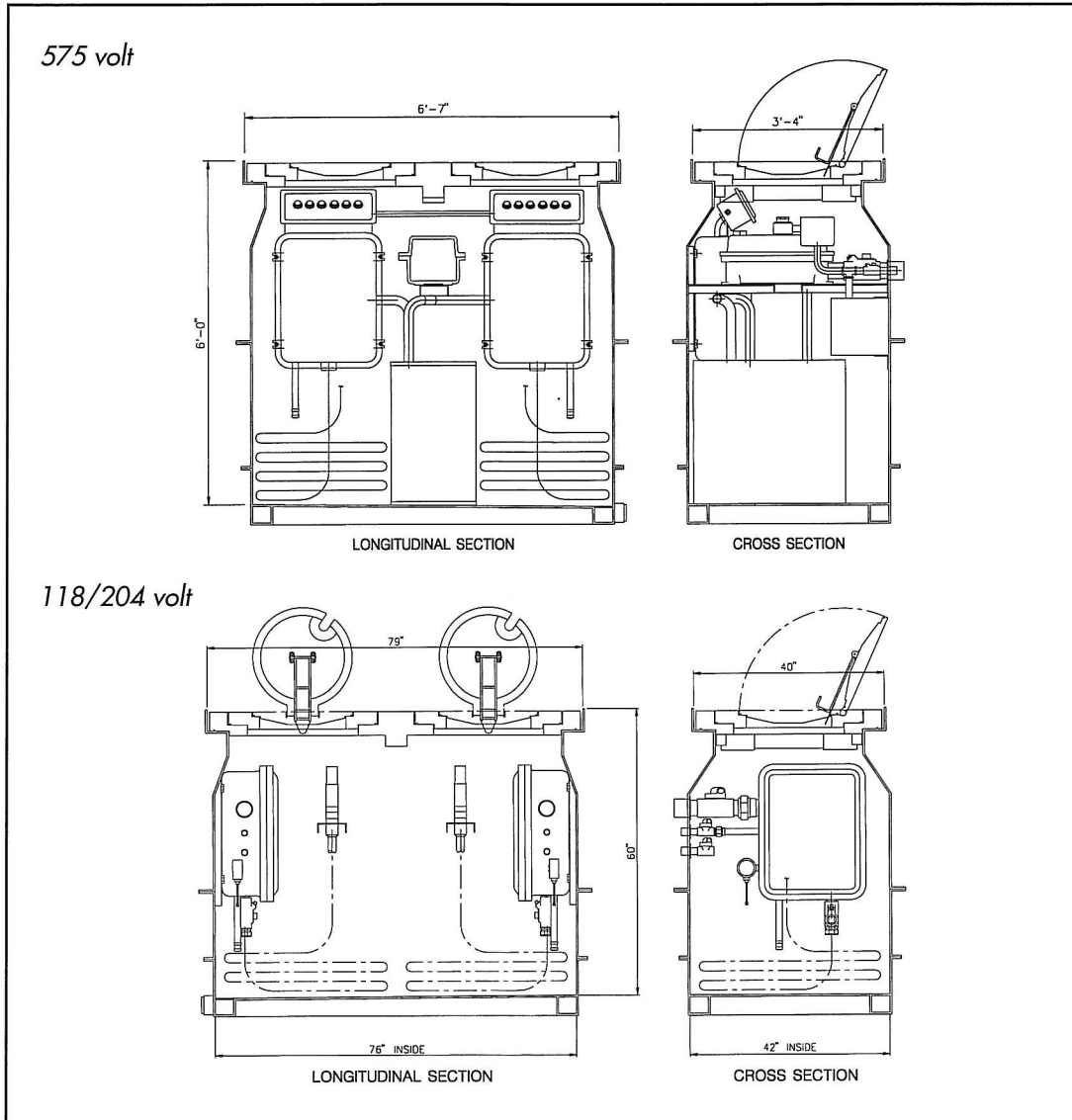


- 3/8" wall fiberglass
- Conduit entry by stainless flange
- "O" ring gasket seal on junction box
- Stainless steel bolts on "J" box
- UL listed assembly
- Vertical mounting of "J" box
- Input wire up to 7 each #4/0
- Built-in water accumulator
- Stainless Steel cable guide
- Cable guide has hand knob release
- Main cover and small cover have eye-bolt provisions
- Covers have stainless steel bolts in eye-holes
- Stainless steel eye-bolts are included and installed in threaded cable guide
- Built-in controls and 400 Hz heaters
- Oversized junction box is 18" x 26" with hinged door
- Output terminals have 3/8" studs with class 1, div 1 seal off
- Includes high-water float switch to shut off power at converter
- Access to pit can be accomplished with one man via 30" small covers
- Over-sized pit to handle other services, longer cable storage, working space

MCM Engineering offers a complete family of Aircraft Service Pits, which are available in 400 Hz power, air, water and utility packages. The pits are simple to install, incorporate extra-thick fiberglass walls and supports with interiors fabricated of stainless steel for the best possible durability in extreme conditions. MCM pits are constructed with standard, easily accessible electrical components and can be serviced by an individual as the pits do not require use of a forklift or lifting device due to the design of the pit covers. All pits offer UL listing, gravity drainage and built-in structural ribs for concrete anchoring. Pit covers are clearly marked with the type of service in raised lettering within the molded aluminum cover, and are available in a round configuration or in a 360 degree rotatable model (patent pending) which offers optimum exit positioning for the 400 Hz output cable.

400Hz DUAL OUTPUT AIRCRAFT SERVICE PITS

DIMENSIONS:



DETAILS:

PART NO.	DIMENSIONS L x W x H	SPECIAL FEATURES
DD4-5193-7	76" x 42" x 54"	Dual Output
DD4-5193-9	76" x 42" x 72"	60 Hz & 400 Hz Dual Output

OPTIONS:

→ High water sensing	→ 575 Volt Input
→ 50/60Hz Power receptacles	→ Gate Box Components
→ Dual Output	→ Alternate Services