

# MCM

## ENGINEERING, INC.

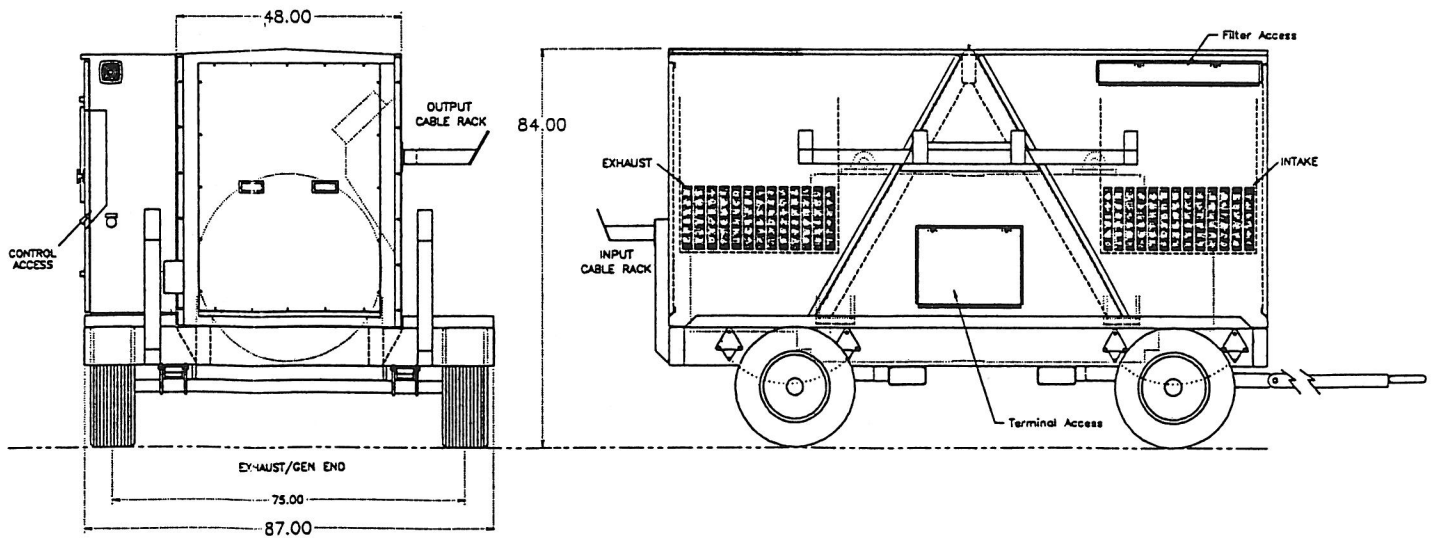
### 400Hz PORTABLE MOTOR GENERATOR



- Low Input Harmonics
- NBT (No Break Transfer) Proven
- High Reliability, Proven Reliability
- 150,000 Hour (L-10) Bearing Life
- 100,000 Hour MTBF
- High Overload capability, 300 %
- Phase Reversal and Phase Loss Protection
- Wide Body Capable (Including Boeing 777)
- Multi Aircraft Capable
- Low Maintenance (Easy to maintain)
- Allen Bradley PLC controls
- Low input power requirements
- Customer Accessible Controller Program
- Vacuum Impregnated Magnetics

The KATO Motor Generator sets are built to exacting standards using state of the art technology coupled with over 50 years of proven manufacturing excellence. Kato products are used worldwide and have an excellent reputation for dependability and longevity. We offer a wide range of design options and capacities, which are thoroughly engineered prior to manufacture. The equipment is strictly monitored to quality control standards during fabrication and subjected to rigorous testing upon completion. MCM has been promoting the use of the KATO generators not only for fixed central systems, but also for use as a mobile generating source. The tow cart design allows for easy movement on a ramp, in a maintenance hangar or on a manufacturing floor.

# 400Hz PORTABLE MOTOR GENERATOR



Audio Noise:	Less than 84 dba at 3 feet	Overload:	110% - 2 hours 125% - 25 minutes 150% - 5 minutes 300% - 10 seconds
Generator:	EMI (Meets FCC, Part 8, CFR Title 47 and MIL-STD-461C, Part 9)	Motor:	1200 RPM synchronous Brushless, self-ventilated Temperature rise 105° C over 40° C ambient Insulation MIL-E-917, Class F, V.P.I. Vibration – 0.001" in any axis Bearing – 150,000 hrs with proper lubrication
Voltage:	Regulation ± 1/2% Stability ± 1/2% Sensitivity ± 1/4% Drift ± 1/2% over 24 hr period Transient 7% for 20% load 15% for 100% load Recovery 150 milliseconds to 95% of full load Modulation 0.5% Unbalance 1% with balanced load 4% with 1/3 current Harmonics 1.5% for all loads 1.3% max. single harmonic		Totally enclosed with washable intake air filter

## DETAILS:

PART NO.	RATING	WEIGHT	DIMENSIONS	DESCRIPTION
DD3-5126-3	150 KVA	9,800 LBS	126" x 87" x 84"	Horizontal, Cart -Mounted
DD3-5126-8	180 KVA	10,000 LBS	126" x 87" x 84"	Horizontal, Cart -Mounted

## OPTIONS:

→ 5 year parts and labor warranty	→ Reduced Noise Canopy
→ Alarm for defective cable	→ PLC program available on disc
→ 50 Hz Input	→ Full Range of kVA Ratings Available