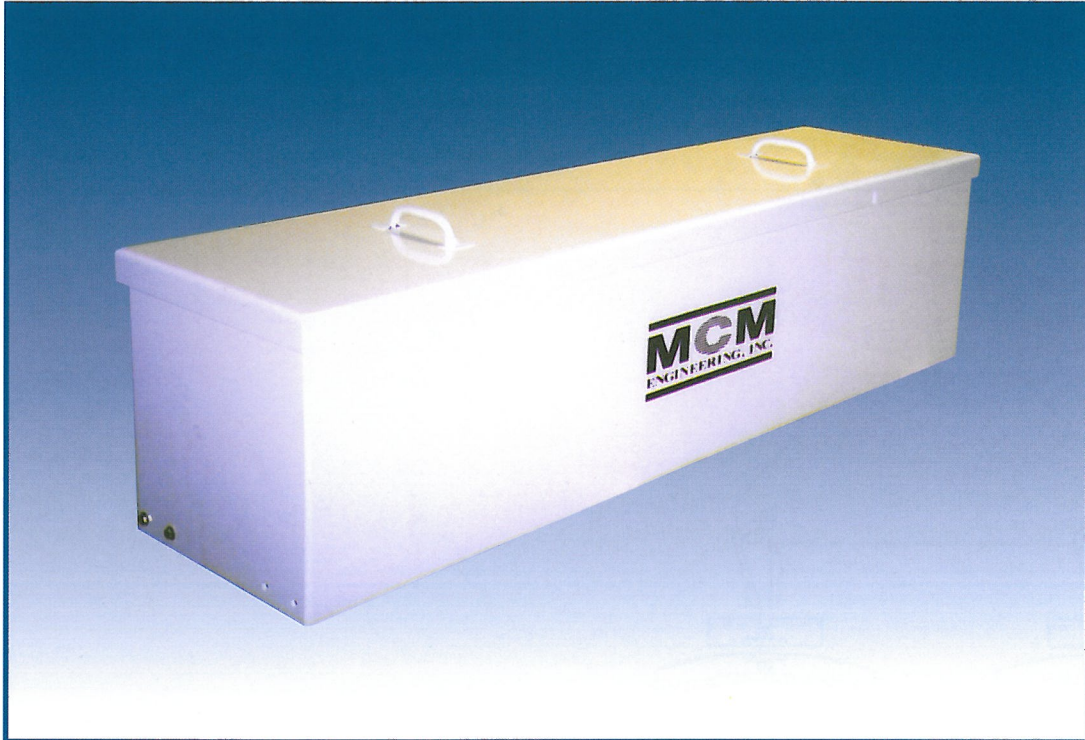


# MCM

## ENGINEERING, INC.

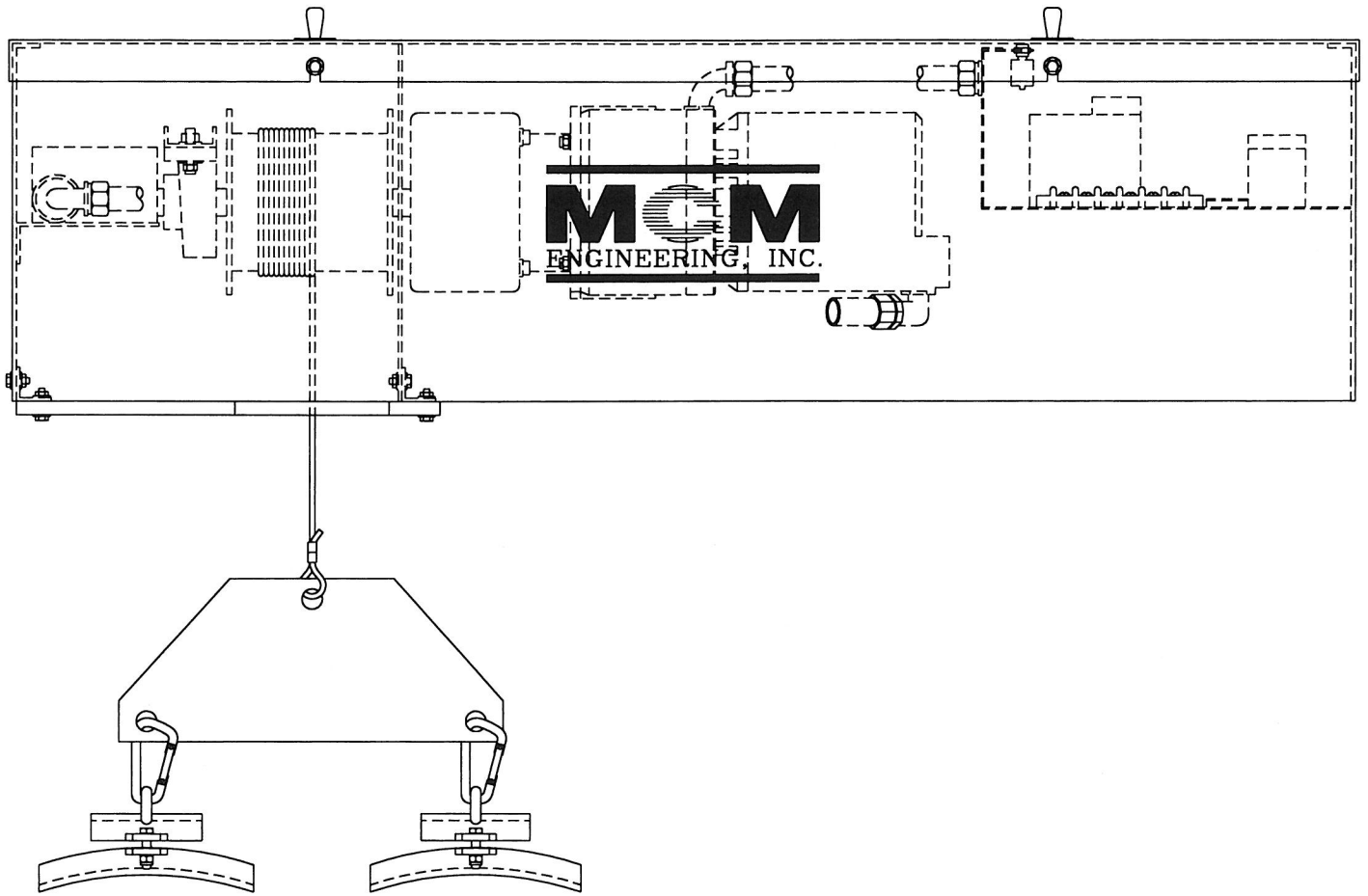
### 400 HZ AIRCRAFT CABLE HOIST



- Outdoor Rated NEMA 4 Enclosure
- Rugged Enclosure
- 1/2 HP Motor w/ Gear Reducer
- Easy Installation
- Stainless Steel Hoist Cable
- UL Listed Components
- 115 VAC, 60 Hz
- Includes Cable Saddle
- Polyurethane Finish
- Mounting Kits Available

**MCM's Aircraft Cable Hoist** is designed for ease of installation and low maintenance. The heavy gauge sheet metal construction allows the hoist to be mounted in numerous configurations on the loading bridge. The hoist can be mounted on the side of the bridge cab or installed with steel supports from the top of the bridge. A drum counter attached to the hoist motor shaft controls the hoist retraction and extension limits. This approach provides more dependable and repeatable control than other types of limit switches. 24 VAC controls are located in a separate control enclosure integrally housed in the hoist enclosure. Operation of the hoist is from a remote pushbutton on the loading bridge base or in the aircraft cable head.

# 400Hz AIRCRAFT CABLE HOIST



## OPTIONS:

PART NO.	DIMENSIONS (W X L X H)	ELECTRICAL	WEIGHT
DD5-5260	12 3/4" x 49 1/2" x 13"	115 VAC, 1 $\phi$ , 60 Hz	175 lbs.

## OPTIONS:

→ Custom Color to Match Bridge	→ 240 VAC, 480 VAC, 60 Hz
→ Bridge Mounting Kits	→ 360 VAC, 50 Hz