

MCM

ENGINEERING, INC.

28 VDC POWER SUPPLY

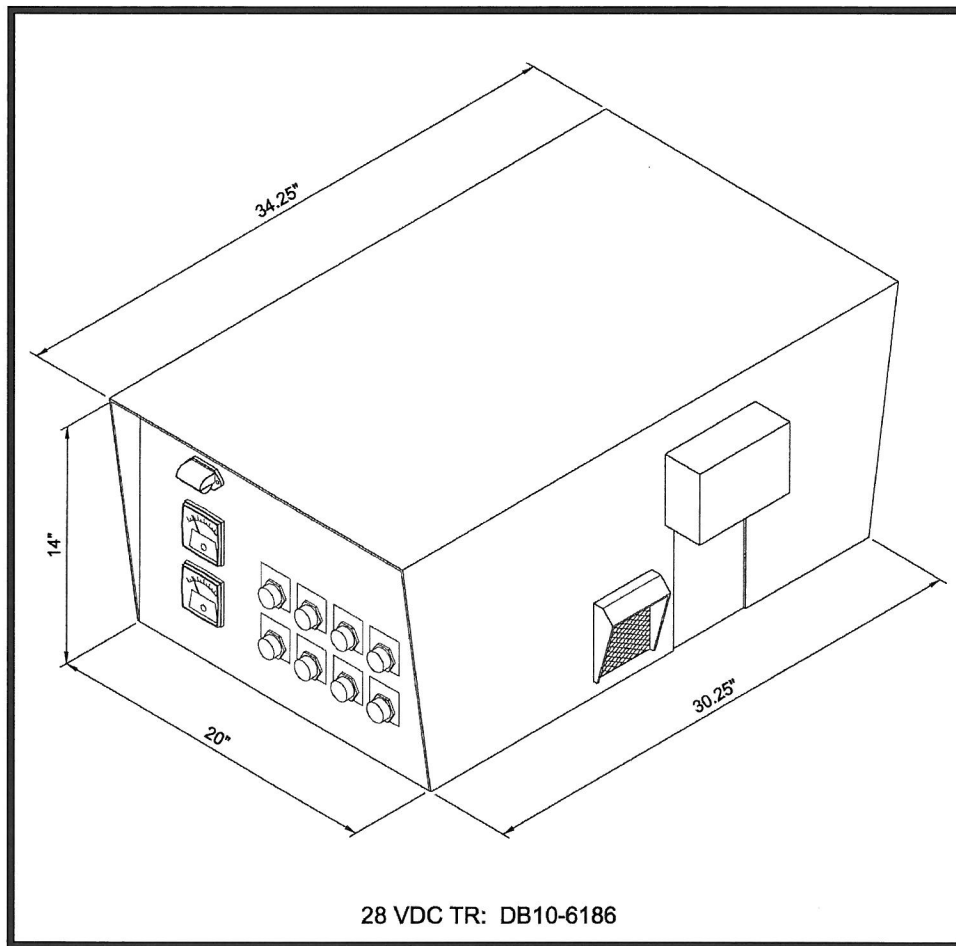


- Outdoor rated
- Self Regulating Voltage
- Lightweight
- Industrial Controls & Indicators
- 400 Hz Aircraft Cable Input
- High Overload Capacity to 2000A
- Low DC Voltage Loss
- Voltmeter & Ammeter
- No Control Leads Required
- Panel Light
- Polyurethane Paint
- Aircraft Protection

MCM Engineering's 28VDC Power Supply is designed for use with parked aircraft requiring 28VDC ground support equipment. This unit is used in conjunction with a 400 Hz power source, transforming 400 Hz, 115VAC power to 28VDC. The power input receptacle accepts a standard 400 Hz aircraft cable connector. The Power Supply can be moved from gate to gate increasing airport parking configuration. The ability to place the Power Supply in close proximity to the aircraft insures a minimal DC voltage drop ultimately improving the quality and amount of power delivered to the aircraft. The unit is complete with a voltmeter, ammeter and protective circuits. The unit has low ripple DC as the ripple frequency is 400Hz. The MCM Power Supply is the perfect piece of equipment for RJ's, commercial prop, or military aircraft. It adds flexibility in aircraft usage for any airport/airfield parking position.

FIXED 28 VDC POWER SUPPLY

Part Number: DB10-6186



SPECIFICATIONS

Input: 400Hz, 115/200V, 3ph

Input Current: 130 A
(45kVA @ 1600A Output)

Output: 28.5 VDC
400A Continuous
1000A 5 Minutes
1600A 1 Minute
2000A 10 Seconds

Metering and Controls:
Over Voltage
Overload
Voltmeter
Ammeter

Lights:

Over Voltage
Overload
Power Available
Contactor Closed

Controls:

Contactor ON
Contactor OFF
Lamp Reset

Features:

Front Panel Light
Input Aircraft Receptacle
Oversized Heat Sink and Diodes

Weight: 375 LBS