

MCM
ENGINEERING, INC.

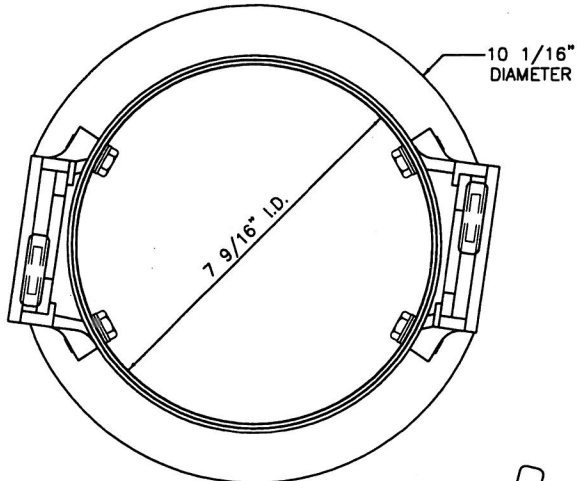
PCA ADAPTER KIT
Part Number: DD06-5947



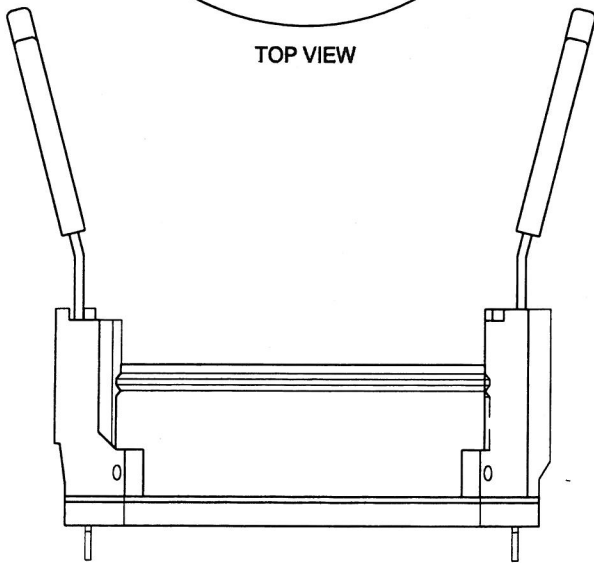
PCA ADAPTER

Part Number: DD06-5946

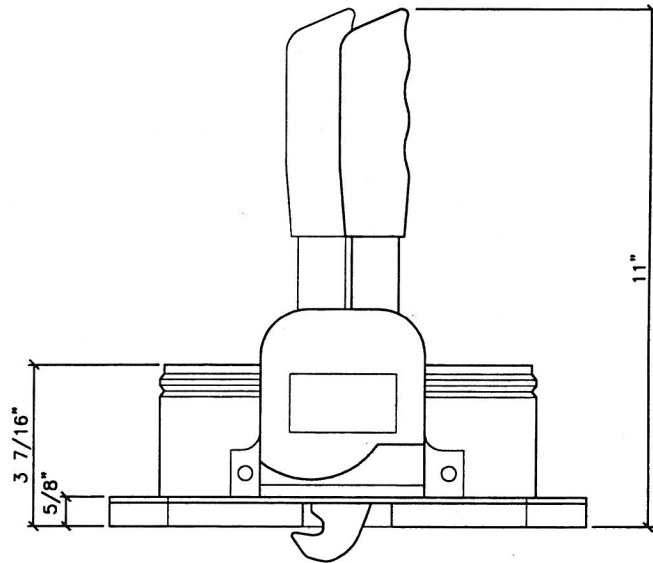
** Note: Clamp available separately. **



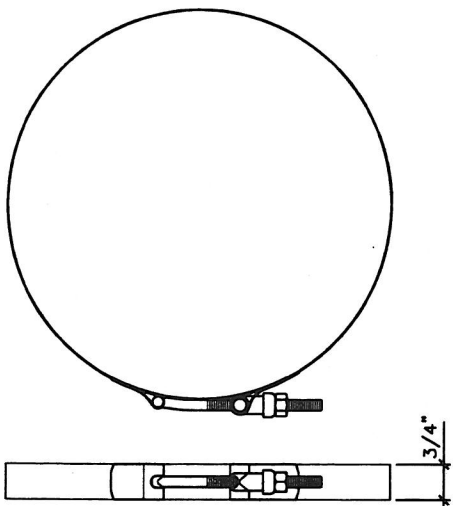
TOP VIEW



FRONT VIEW



SIDE VIEW



CLAMP Part No. DA05-5943